

FIG. 5C

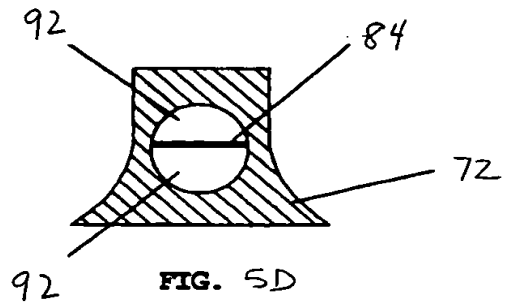
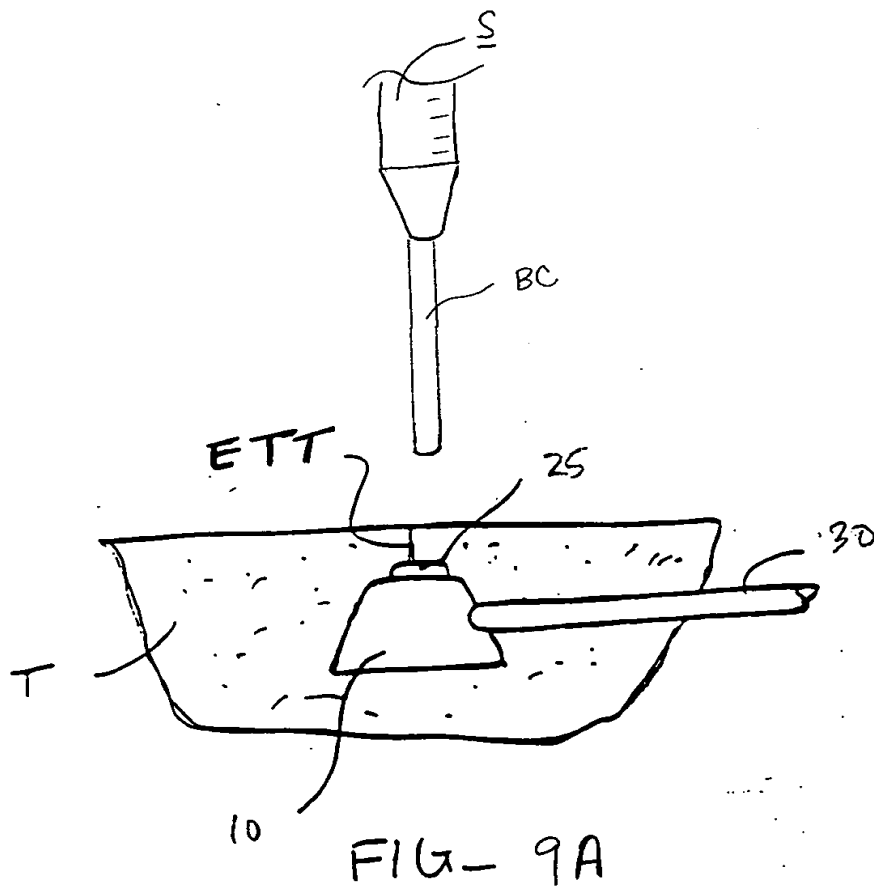


FIG. 5D

Approved  
Cfr 12/10/2



Approved  
CJR 12/2/02